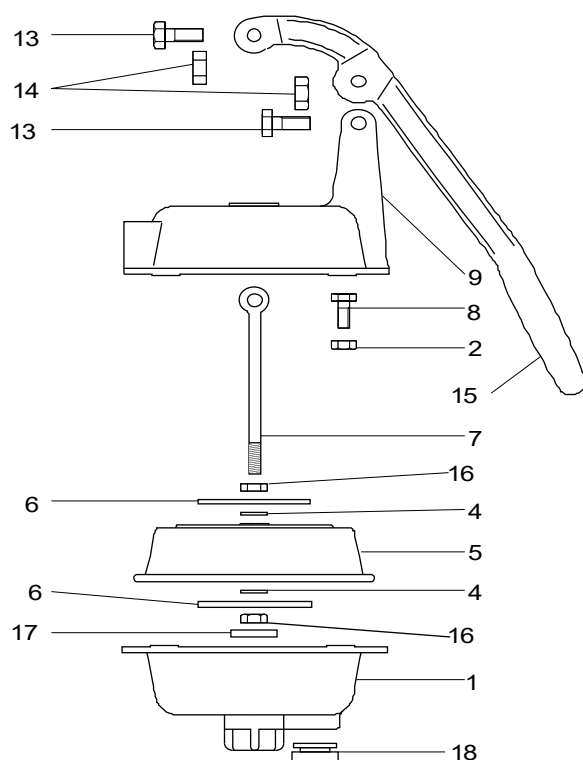


PIECES DETACHEES POMPE AMORCAGE



REF.	DESIGNATIONS	CODE	
REF.1	CORPS INFERIEUR	12REF1POMPE	
REF.2+8	KIT ECROU + BOULONS + RONDELLE (X 4)	12REF28POMPE	
REF.4	RONDELLES (X2)	12REF4POMPE	
REF.5	MEMBRANE	12REF5POMPE	
REF. 6	DISQUE EN ACIER	12REF6POMPE	
REF. 7	TIGE DE COMMANDE	12REF7POMPE	
REF.9	CORPS SUPERIEUR	12REF9POMPE	
REF.13+14	KIT ECROU + BOULONS (X 2)	12REF1314POMPE	
REF.15	POIGNEE	12REF15POMPE	
REF. 16	ECROU (X2)	12REF16POMPE	
REF.17	JOINT INTERIEUR	12REF17POMPE	
REF. 18	JOINT EXTERIEUR	12REF18POMPE	