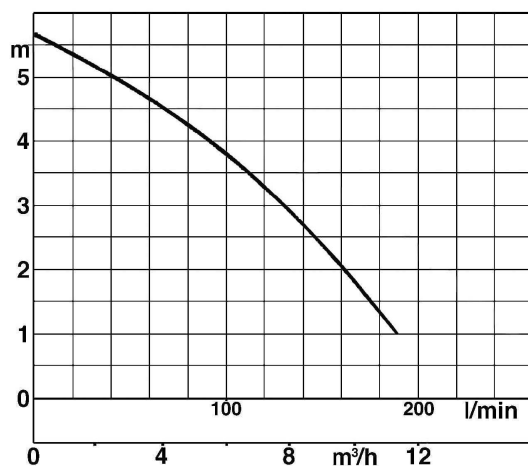




## POMA 230V/50Hz

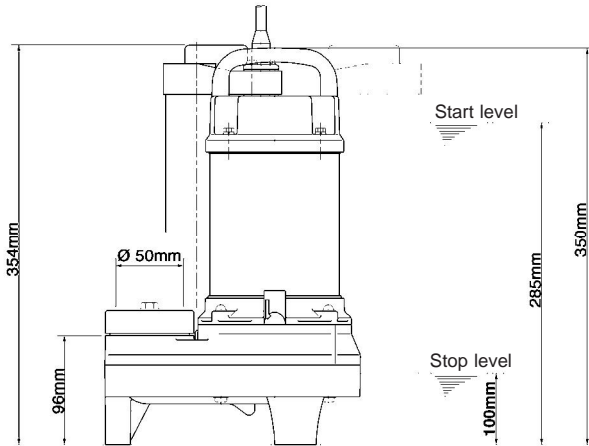
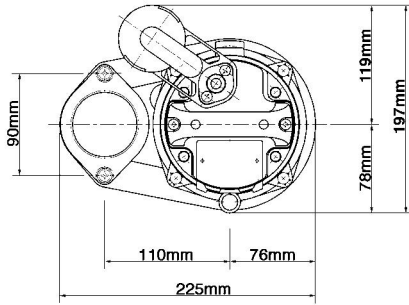


Grâce à un corps de pompe en plastique dont la teneur en fibre a été légèrement renforcée (FRP) et à une couverture supérieure, la pompe peut résister à l'abrasion et à la corrosion et nécessite ainsi moins d'entretien. La turbine vortex permet d'éliminer les blocages et l'agglutination de solides. Fabriquée à base de FRP, elle résiste à une longue utilisation avec un degré d'usure minimum. Des solides d'un diamètre maximum de 35 mm peuvent passer. C'est le diamètre le plus grand dans cette classe de pompes. Aucun filtre n'est nécessaire.

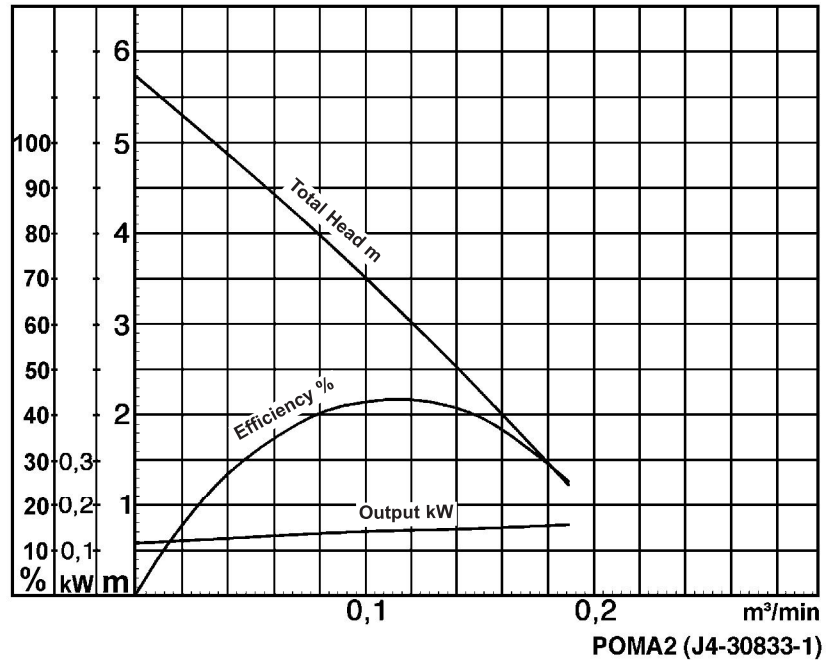


∅ refoul. mm	Modèle	Puiss. Moteur kW	Phase	HMT maxi m	Débit maxi l/min	Passage Turbine mm	Câble m
50	POMA2	0,15	mono	5,7	190	35	10

# Caractéristiques POMA2



POMA2 (J4-30830-1)



## Classification

Electric submersible pump  
 Protection class IP68  
 Depth of submersion max. 20m  
 Vortex impeller  
 Impeller passage 35mm  
 Suitable for sewage water, various waste water

## Electric Motor

Dry-type submersible induction motor,  
 Insulation class E, 2 poles, 2850 r.p.m.  
 Capacitor start  
 Voltage: 110/230V, 50Hz, 1-phase  
 Power input: 0,30kW  
 Power output: 0,15kW  
 Nominal current: 3,1A/1,6A  
 Start current: 8,1A/4,3A

## Electric Cable

10m H07RN-F 3Cx1mm<sup>2</sup>

## Motor Protection

Circle thermal protector  
 (snap-action bi-metal device)

## Shaft Seal

Double mechanical seal in oil bath  
 additional lubrication by oil lifting device  
 Primary Seal:  
 silicon carbide on silicon carbide  
 Secondary Seal:  
 ceramic on carbon

## Bearings

Shielded ball bearings, maintenance-free

## Materials

Impeller:	Fibre reinforced plastic
Casing upper:	Fibre reinforced plastic
Casing lower:	Plastic
Motor frame:	SUS304 (EN-X5CrNi18-10)
Shaft:	SUS403 (EN-X6Cr13)

## Discharge Connection

2" (50mm) screwed-in mating flange

## Weight

6,6 kg (dry weight of the pump)

## Special Feature

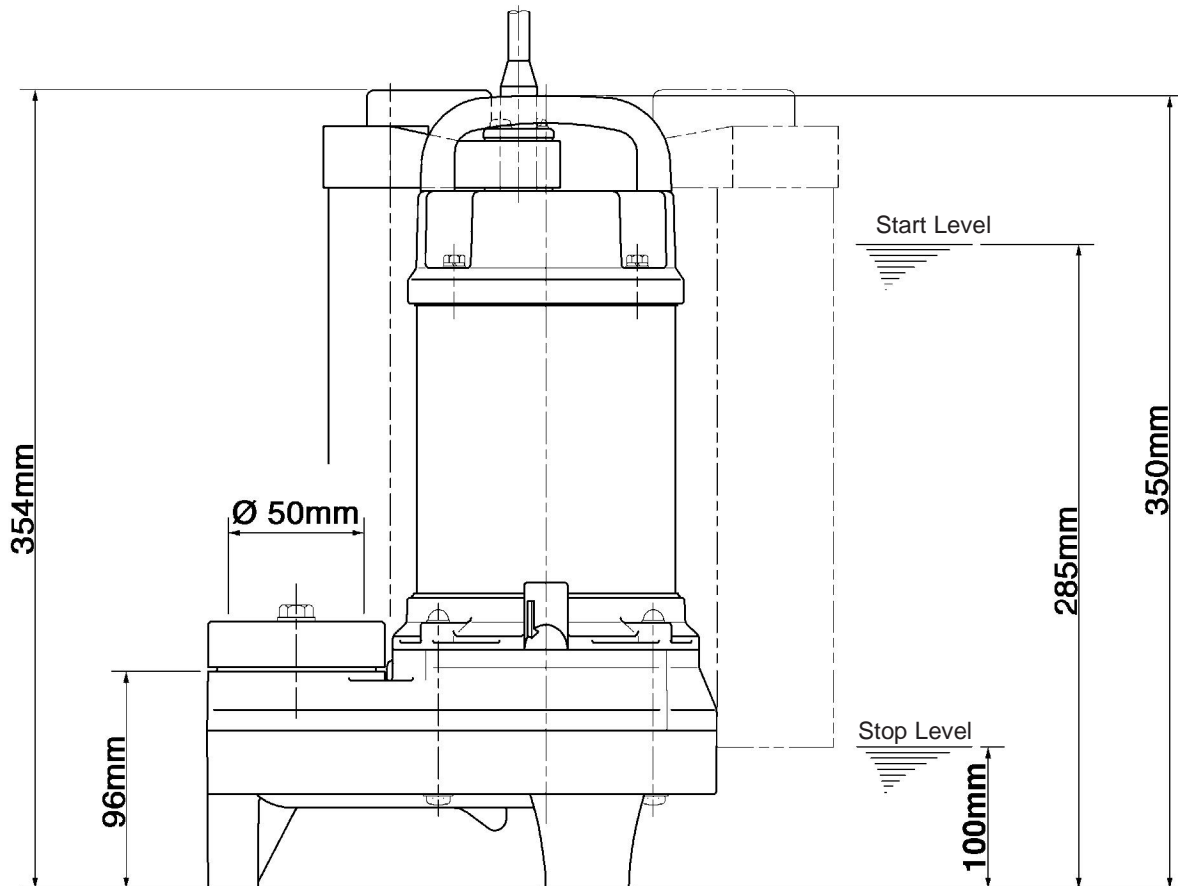
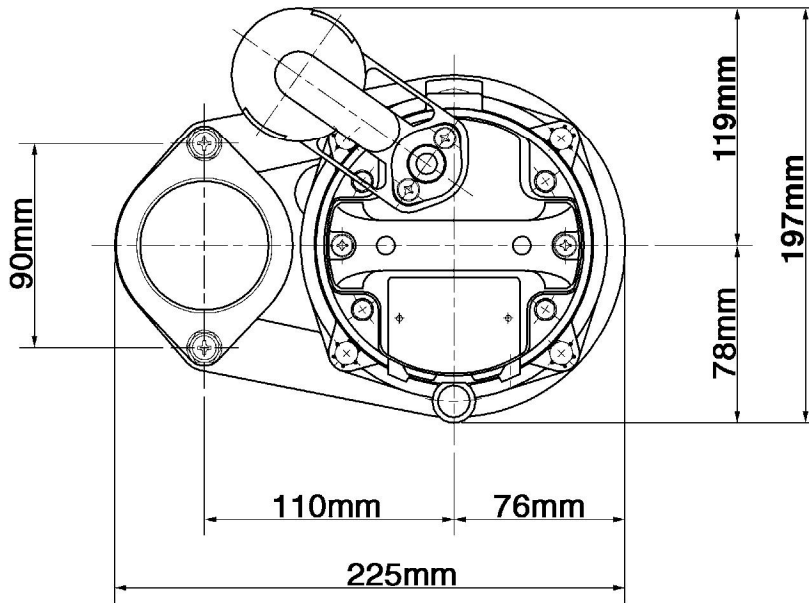
Level control by float switch



Tsurumi Europe GmbH  
 19.06.2008

Heltorfer Str.14 • 40472 Düsseldorf • Germany  
 Tel.: +49-211-4179373 • Fax: +49-211-4791429  
 Sales@tsurumi-europe.com • www.tsurumi-europe.com

# Dimensional Drawing POMA2



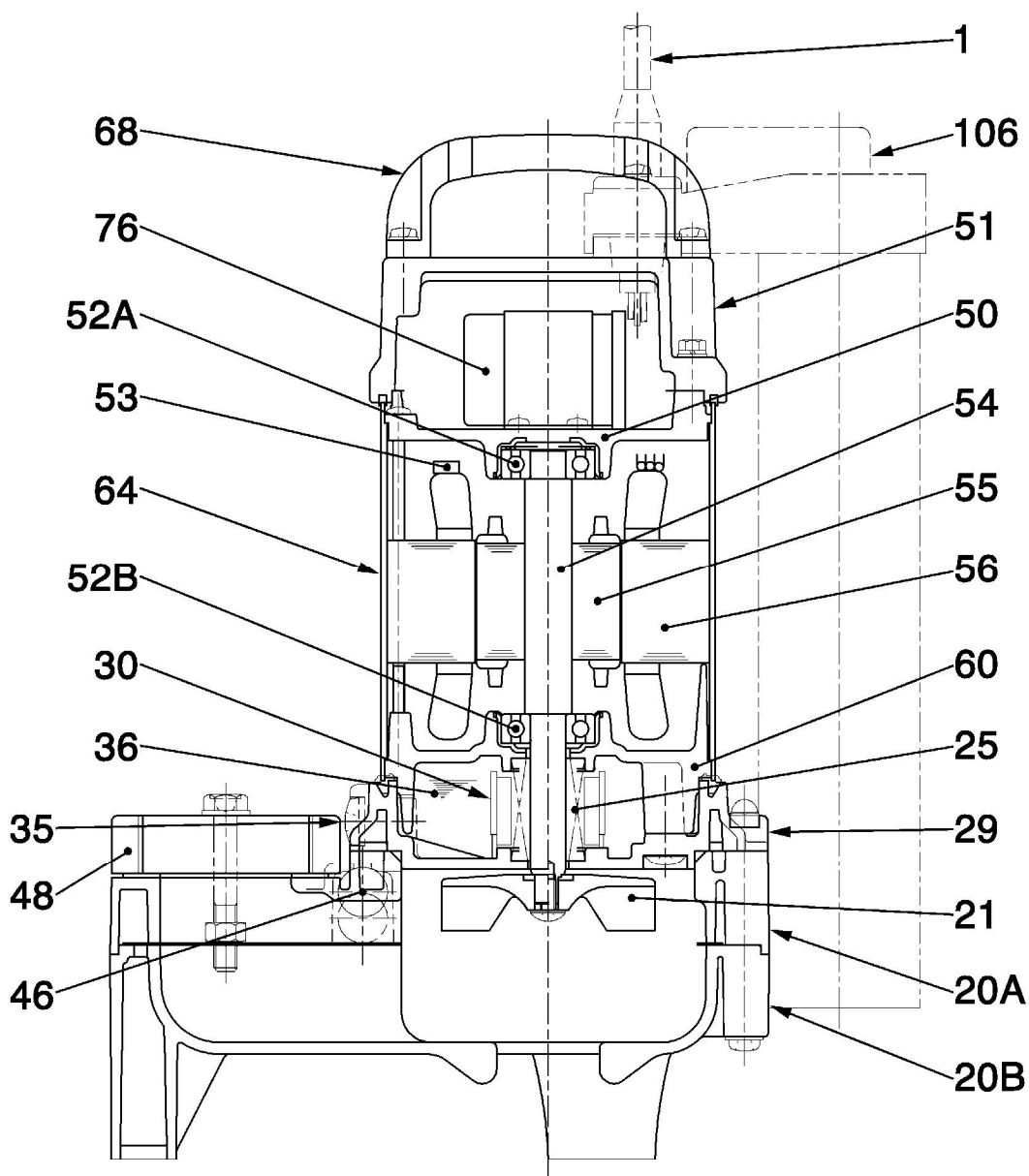
**POMA2 (J4-30830-1)**



Tsurumi Europe GmbH  
20.07.2007

Heltorfer Str.14 • 40472 Düsseldorf • Germany  
Tel.: +49-211-4179373 • Fax: +49-211-4791429  
Sales@tsurumi-europe.com • www.Tsurumi-Europe.com

# Sectional Drawing POMA2



**POMA2 (J4-30831-1)**

No.	Description	Qty.	Remarks	No.	Description	Qty.	Remarks
1	Cabtyre Cable	1	H07RN-F	52B	Lower Bearing	1	6201ZZC3
20A	Casing Upper Half	1	Plastic W/GF	53	Motor Protector	1	
20B	Casing Lower Half	1	Plastic	54	Shaft	1	SUS403 (EN-X6Cr13)
21	Impeller	1	Plastic W/GF	55	Rotor	1	
25	Mechanical Seal	1	D-12B	56	Stator Complete	1	
29	Oil Casing	1	Plastic W/GF	60	Bearing Housing	1	Aluminium Die Casting
30	Oil Lifter	1	Plastic	64	Motor Frame	1	SUS304 (EN-X5CrNi18-10)
35	Oil Plug	1	SUS304 (EN-X5CrNi18-10)	68	Handle	1	Plastic
36	Lubricant		Turbine Oil (ISO VG32)	76	Capacitor	1	
46	Air Release Valve	1	Glass Ball	106	Float Set	1	Plastic
48	Screwed Flange	1	Plastic				
50	Motor Bracket	1	Aluminium Die Casting				
51	Head Cover	1	Plastic W/GF				
52A	Upper Bearing	1	6201ZZC3				



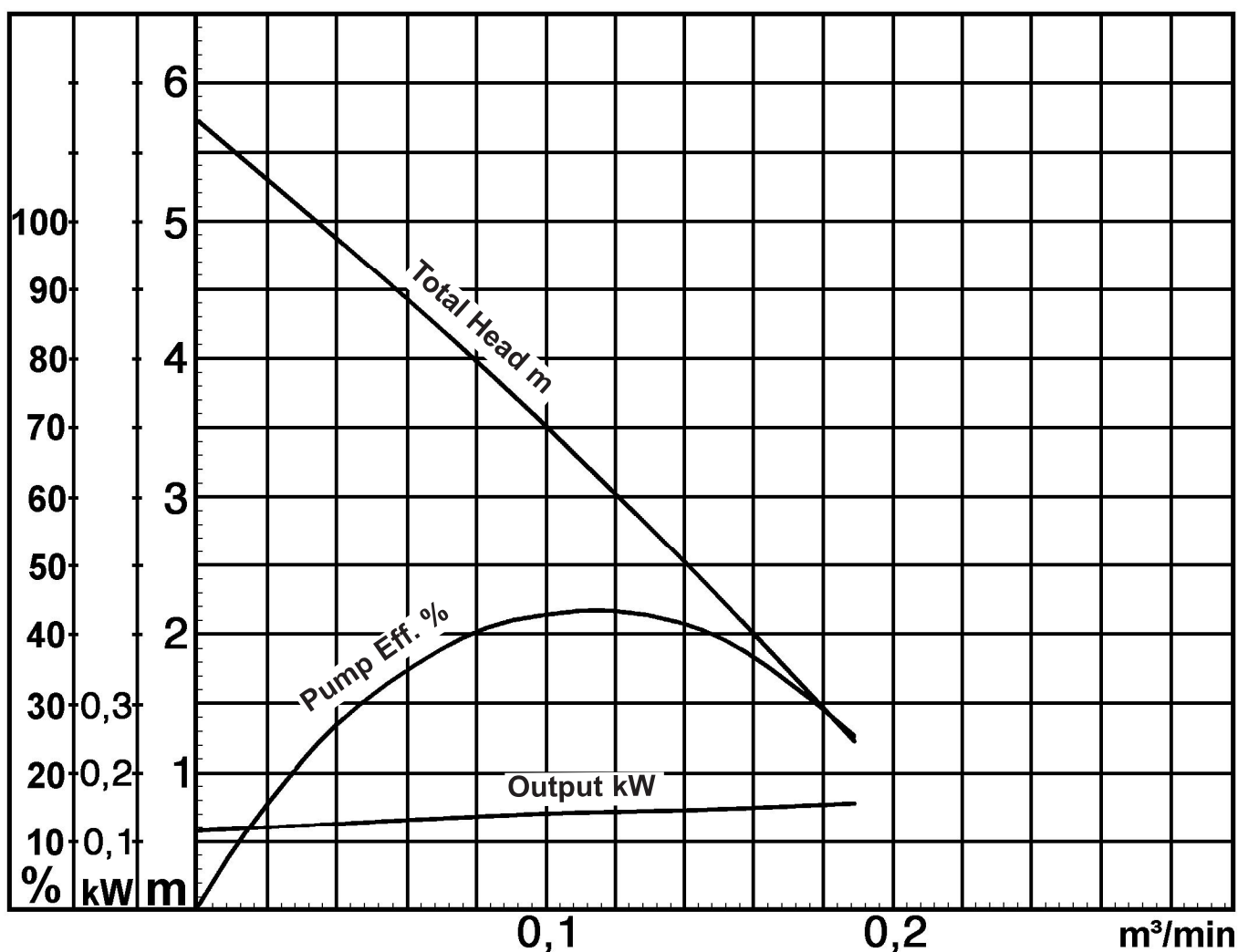
Tsurumi Europe GmbH  
20.07.2007

Heltorfer Str.14 • 40472 Düsseldorf • Germany  
Tel.: +49-211-4179373 • Fax: +49-211-4791429  
Sales@tsurumi-europe.com • www.Tsurumi-Europe.com

# Pump Performance Curve

## POMA2

Discharge Bore	50 mm
Total Head	max. 5,7 m
Capacity	max. 0,19 m <sup>3</sup> /min
Motor Output	0,15 kW
Motor Input	0,30 kW
Phase	1
Voltage	110/230 V
Frequency	50 Hz
Rated Current	3,1/1,6 A
Starting Current	8,1/4,3 A
Poles	2
Revolution	S.S. 2850 r.p.m.
Starting Method	capacitor
Insulation Class	E



Tsurumi Europe GmbH  
19.06.2008

Heltorfer Str.14 • 40472 Düsseldorf • Germany  
Tel.: +49-211-4179373 • Fax: +49-211-4791429  
Sales@tsurumi-europe.com • www.Tsurumi-Europe.com

# Specifications POMA

## FEATURES

1. Vortex, FRP (Fibreglass Reinforced Plastic) impeller passes solids and stringy material without clogging and increases wear resistance when pumpage contains abrasive particles.
2. Double inside mechanical seals with silicon carbide faces, running in an oil filled chamber and further protected by a lip seal, provides for the most durable seal design available.
3. Highly efficient, continuous duty, air filled, copper wound motor with insulation class E minimizes cost of operation.
4. Built in thermal and amperage sensing protector prevents motor failure due to overloading, or accidental run-dry conditions.

## APPLICATIONS

1. Residential effluent, wastewater and site drainage
2. Decorative waterfalls, fountains and fish ponds



## SPECIFICATIONS

Discharge Size.....	50mm
Power output .....	0,15kW
Performance range.....	0,015m <sup>3</sup> /min - 0,19m <sup>3</sup> /min 1,2m - 5,7m
Maximum water temperature...	40°C
Materials of construction	
Impeller.....	Glassfibre reinforced plastic
Casing.....	Glassfibre reinforced plastic
Motor Frame.....	Stainless steel SUS304 (EN-X5CrNi18-10)
Shaft.....	Stainless steel SUS403 (EN-X6Cr13)
Fasteners.....	Stainless steel SUS304 (EN-X5CrNi10-10)
Elastomers.....	NBR (Nitril Buna Rubber)
Mechanical Seal	
Primary Seal.....	Silicon carbide on silicon carbide
Secondary Seal.....	Ceramic on carbon
Impeller Type.....	Vortex
Solids handling capability.....	35mm
Bearings.....	Pre-lubricated, double shielded ball bearings
Motor.....	Air filled, 2850 rpm, 230V, 50Hz, 1-phase Insulation class E
Special feature .....	Only Automatic version available (float switch)



**Oil Lifter**



Tsurumi Europe GmbH  
20.07.2007

Heltorfer Str.14 • 40472 Düsseldorf • Germany  
Tel.: +49-211-4179373 • Fax: +49-211-4791429  
Sales@tsurumi-europe.com • www.Tsurumi-Europe.com